



海伦哲  
HANDLER

Ticker Symbol: 300201

# GKS28

## 28m Aerial Work Platform

XUZHOU HANDLER SPECIAL VEHICLE CO.,LTD

#19 Baoliang Road, Xuzhou Economic Development Zone,  
Xuzhou city, Jiangsu province, China

Tel:+86-516-68782715 http: www.xzhz.com

This brochure is for reference only. We reserve the right to modify the  
technical parameters and components as the technology improves.



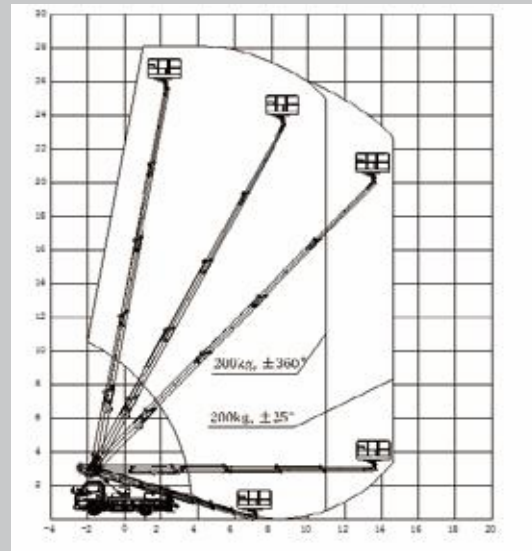
www.xzhz.com



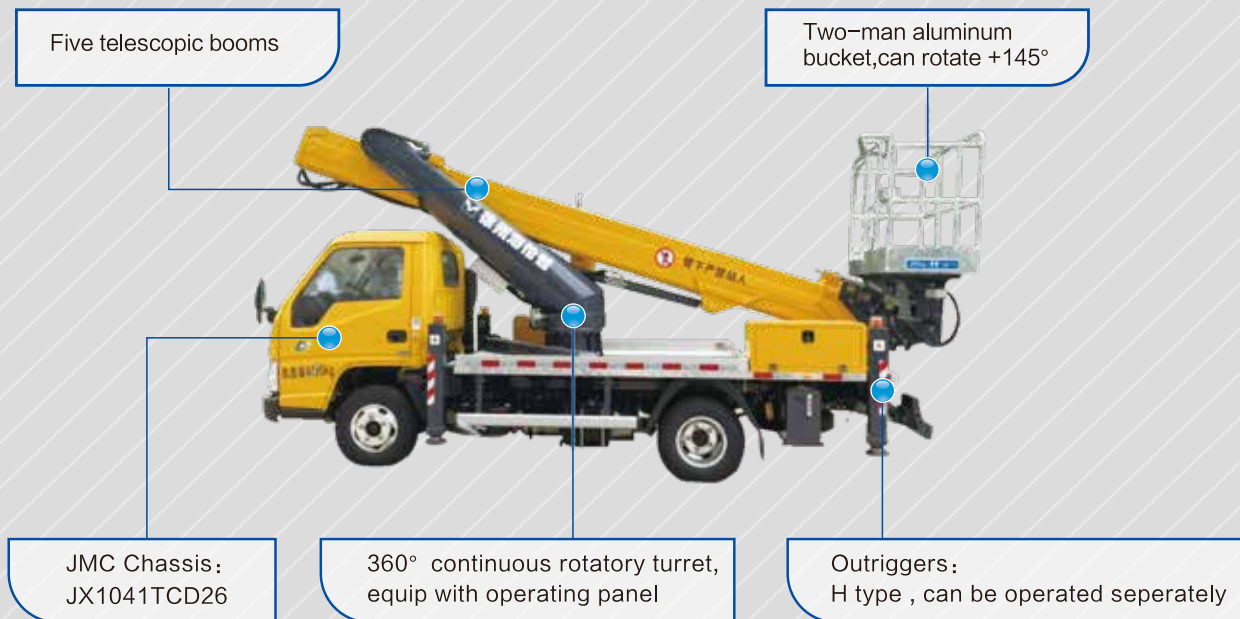
## Main technical parameters

## Working range

GKJH20 Insulated aerial work platform			
Item	Description	Unit	Data
Dimension	Total length	mm	5995
	Total width	mm	2100
	Total height	mm	3080
Weight	Cab personnel capacity		2
	Total weight	kg	4495
Main Performance	Bucket rated load capacity	kg	200
	Max. working height	m	28.1
	Max. working radius while at Max. working height	m	3.6
	Max. working radius	m	14.7
	Max. work height while at Max. working radius	m	≥5
	Bucket rotation	°	±145
	Turret rotation	°	360° continuous



## Main configuration



- **Control system:** Electro-hydraulic proportional control system, enabling stepless speed regulation.
- **Leveling system:** Hydraulic leveling;
- **Operation:** Two sets of control systems for turret and wireless remote control;
- Boom-outrigger interlock;
- Emergency manual hydraulic pump;
- Auto limit device;
- Chain-off protection device;
- Emergency stop;